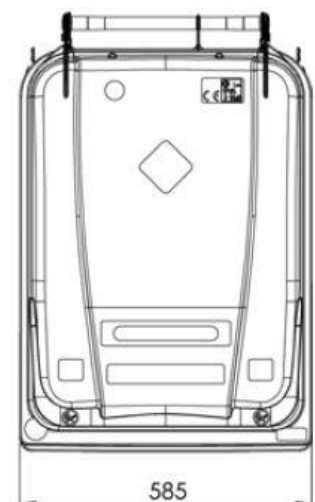
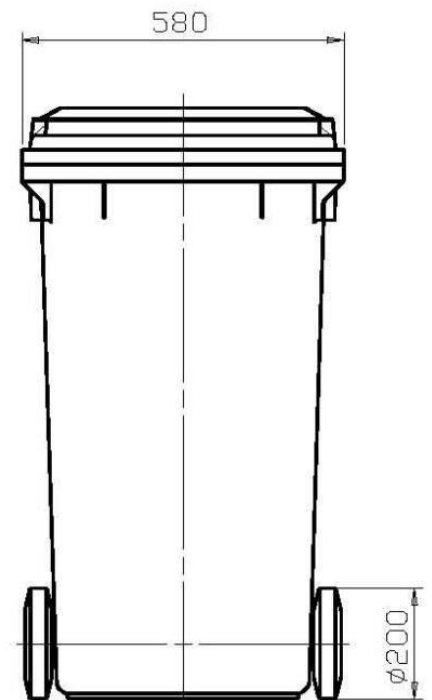
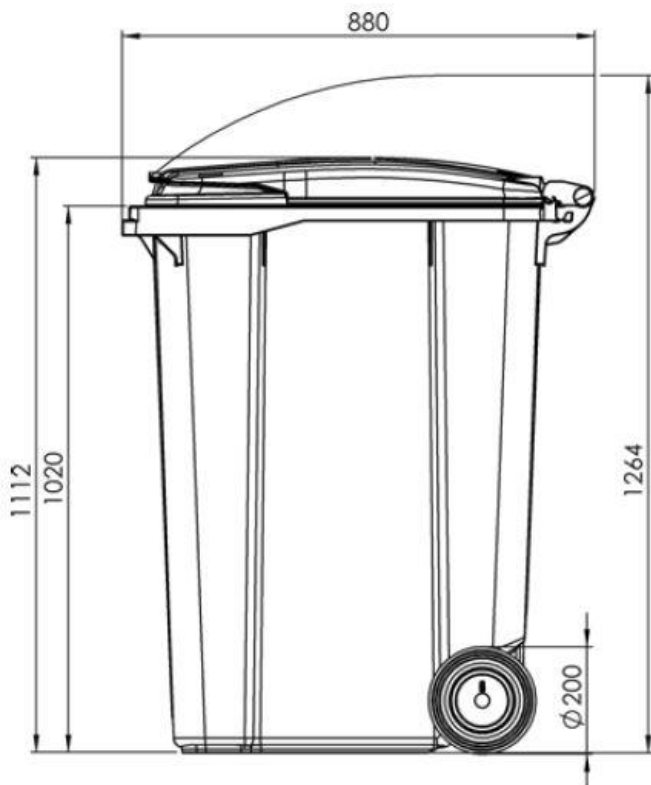


360 LITRE BIN DIMENSIONS



TECHNICAL DATA

Volume	360 l
Weight	approx. 16 kg
Permissible total weight	max. 160 kg
Material	HDPE, UV-stabilized
Wheels	2 rubber wheels Ø 200mm corrosion free steel axle
Lid / Body	2 hinge pins lid with lip handle continuous handle: approx. Ø 27 mm Foot board as standard