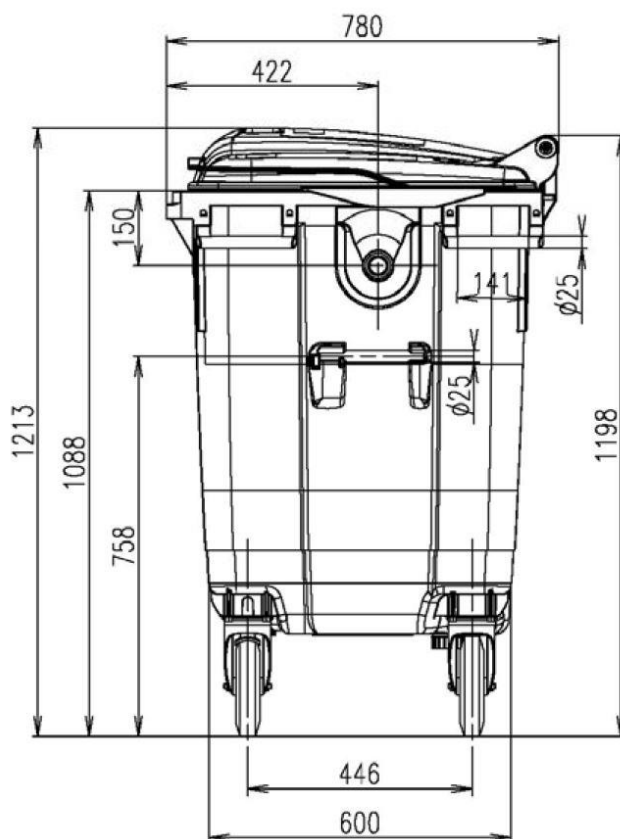
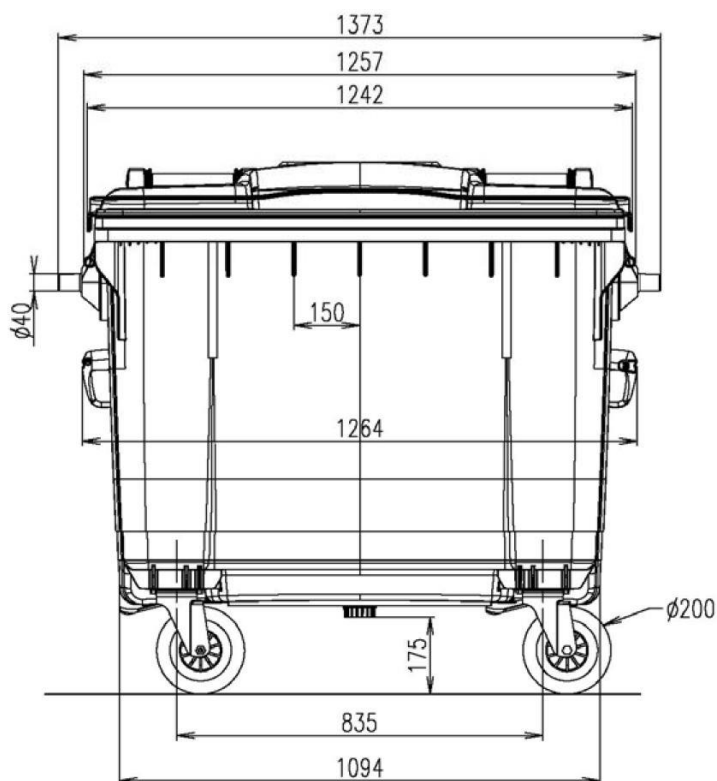


660 LITRE BIN DIMENSIONS



TECHNICAL DATA

| | |
|-------------------|---|
| Capacity | 660l |
| Weight | 40kg (with wheels Ø200mm) |
| Material | HDPE, UV stabilized |
| Wheels | 4 rubber wheels Ø200mm (2 with wheel stop) |
| Trunnions | with steel reinforcement |
| Lid/body fixation | 4 hinge pins with discharging springs |