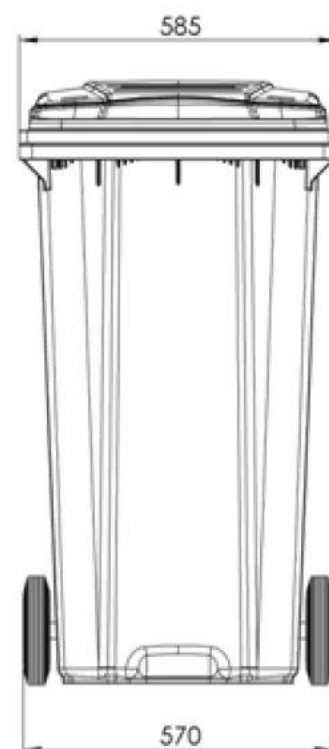
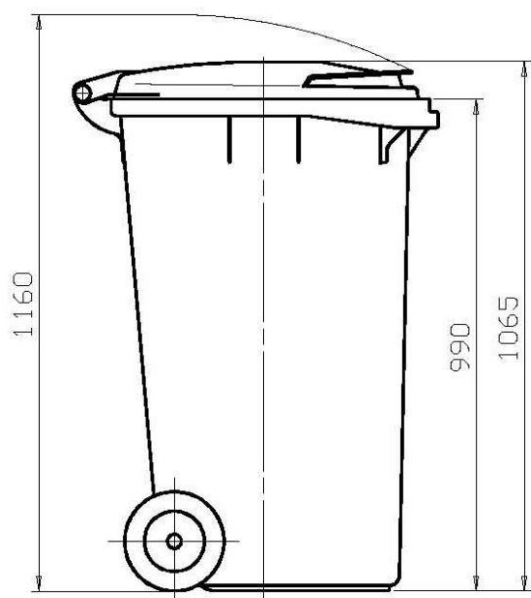


240 LITRE BIN DIMENSIONS



TECHNICAL DATA

Capacity	240l
Weight	approx. 14kg
Material	HDPE, UV stabilized
Wheels	2 rubber wheels Ø200mm corrosion resistant steel axle
Lid/body fixation	lid with liphandle continuous handle: Ø27mm

